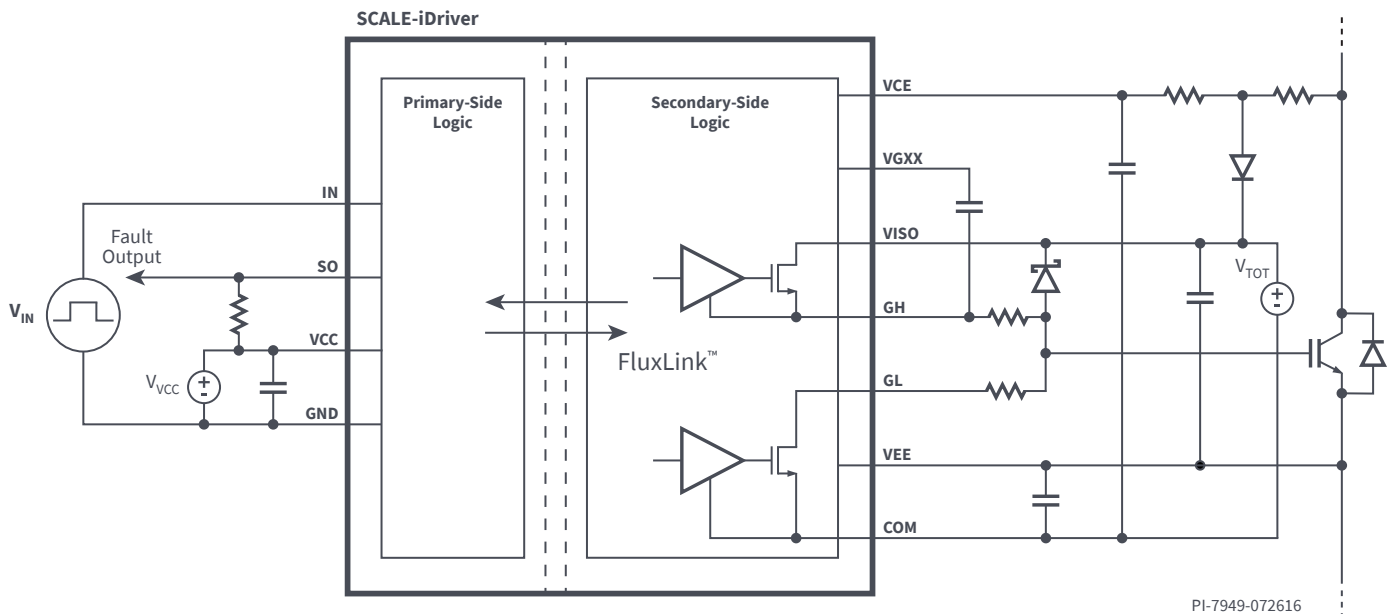


# SCALE-iDriver™ (Automotive) Gate Driver SID11xxKQ

- AEC-Q100 qualified
- Drives 650 V, 750 V and 1200 V automotive IGBT and SiC-MOSFET modules
- 1200 V reinforced isolation up to 5000 m
- 9.5 mm creepage and low-profile 2.67 mm packaging
- Bi-directional communication

## Single-Channel IGBT / MOSFET Gate Driver with Reinforced Isolation



PI-7949-072616

## Applications

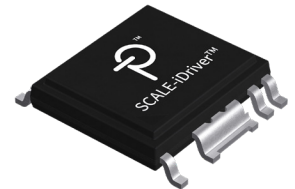
- Traction inverters
- DC-DC converters
- Electric vehicle on-board chargers and charger stations

---

## Output Power

### Optimized for IGBT

Part Number	Peak Output Current (A)	Switch Rating (V)
SID1132KQ	2.5	1200
SID1181KQ	8.0	750
SID1182KQ	8.0	1200



### Optimized for SiC MOSFET

Part Number	Peak Output Current (A)	Switch Rating (V)
SIC1181KQ	8.0	750
SIC1182KQ	8.0	1200

---

## Design Support

- Data Sheet**      SCALE-iDriver data sheet - Optimized for IGBT (SID11x2KQ)  
([www.power.com/sid11x2kq-data-sheet](http://www.power.com/sid11x2kq-data-sheet))
- Data Sheet**      SCALE-iDriver data sheet - Optimized for IGBT (SID1181KQ)  
([www.power.com/sid1181kq-data-sheet](http://www.power.com/sid1181kq-data-sheet))
- Data Sheet**      SCALE-iDriver data sheet - Optimized for SiC MOSFET (SIC118xKQ)  
([www.power.com/sic118xkq-data-sheet](http://www.power.com/sic118xkq-data-sheet))
- Reference Designs**      Gate driver reference designs ([www.power.com/solutions/designs/gate-drivers](http://www.power.com/solutions/designs/gate-drivers))
- Video**      An introduction to SCALE-iDriver ([www.power.com/scale-idriver-video](http://www.power.com/scale-idriver-video))